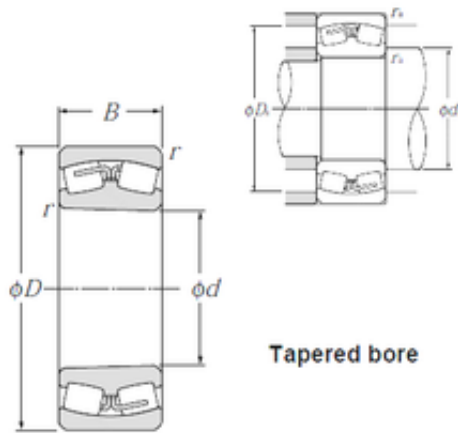




Shanghai Shengjie Bearing Co., Ltd.

710 mm x 1 030 mm x 315 mm NTN 240/710BK30 Spherical Roller Bearings



Bearing No. 240/710BK30

| | |
|-------------------------------|-----------------|
| Size | 710x1030x315 mm |
| Bore Diameter | 710 mm |
| Outer Diameter | 1030 mm |
| Width | 315 mm |
| d | 710 mm |
| D | 1 030 mm |
| B | 315 mm |
| C | 315 mm |
| r min. | 7,5 mm |
| da min. | 746 mm |
| Da max. | 994 mm |
| ra max. | 6 mm |
| Weight | 870 Kg |
| Basic dynamic load rating (C) | 9 300 kN |
| Basic static load rating (C0) | 22 500 kN |
| (Grease) Lubrication Speed | 230 r/min |
| (Oil) Lubrication Speed | 300 r/min |
| Calculation factor (e) | 0,29 |
| Calculation factor (Y0) | 2,31 |
| Calculation factor (Y1) | 2,36 |

240/710BK30 Bearing 2D drawings and 3D CAD models