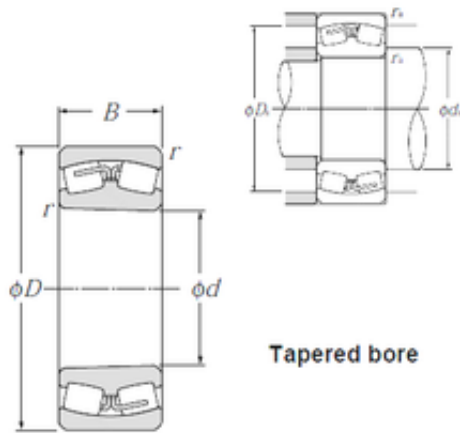




Shanghai Shengjie Bearing Co., Ltd.



500 mm x 670 mm x 128 mm NTN 239/500K Spherical Roller Bearings

Bearing No. 239/500K

239/500K Bearing 2D drawings and 3D CAD models

| | |
|-------------------------------|----------------|
| Size | 500x670x128 mm |
| Bore Diameter | 500 mm |
| Outer Diameter | 670 mm |
| Width | 128 mm |
| d | 500 mm |
| D | 670 mm |
| B | 128 mm |
| C | 128 mm |
| r min. | 5 mm |
| da min. | 522 mm |
| Da max. | 648 mm |
| ra max. | 4 mm |
| Weight | 127 Kg |
| Basic dynamic load rating (C) | 2 370 kN |
| Basic static load rating (C0) | 5 600 kN |
| (Grease) Lubrication Speed | 430 r/min |
| (Oil) Lubrication Speed | 560 r/min |
| Calculation factor (e) | 0,17 |
| Calculation factor (Y0) | 3,93 |
| Calculation factor (Y1) | 4,02 |