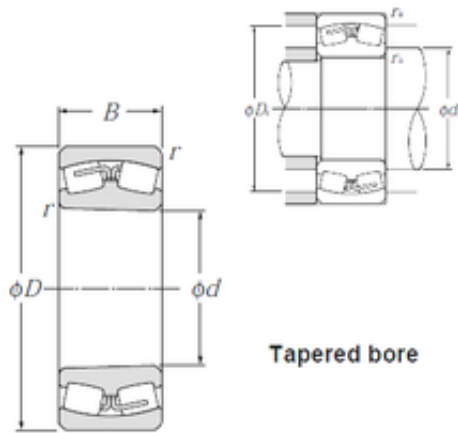




Shanghai Shengjie Bearing Co., Ltd.

480 mm x 700 mm x 218 mm NTN 24096BK30 Spherical Roller Bearings



Bearing No. 24096BK30

24096BK30 Bearing 2D drawings and 3D CAD models

Size	480x700x218 mm
Bore Diameter	480 mm
Outer Diameter	700 mm
Width	218 mm
d	480 mm
D	700 mm
B	218 mm
C	218 mm
r min.	6 mm
da min.	508 mm
Da max.	672 mm
ra max.	5 mm
Weight	280 Kg
Basic dynamic load rating (C)	4 650 kN
Basic static load rating (C0)	10 500 kN
(Grease) Lubrication Speed	380 r/min
(Oil) Lubrication Speed	490 r/min
Calculation factor (e)	0,3
Calculation factor (Y0)	2,17
Calculation factor (Y1)	2,22