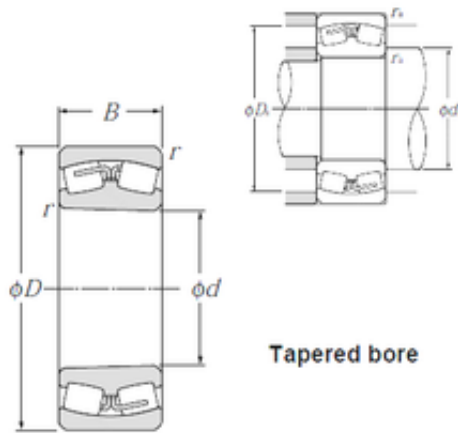




Shanghai Shengjie Bearing Co., Ltd.

420 mm x 700 mm x 224 mm NTN 23184BK Spherical Roller Bearings

Bearing No. 23184BK



23184BK Bearing 2D drawings and 3D CAD models

Size	420x700x224 mm
Bore Diameter	420 mm
Outer Diameter	700 mm
Width	224 mm
d	420 mm
D	700 mm
B	224 mm
C	224 mm
r min.	6 mm
da min.	448 mm
Da max.	672 mm
ra max.	5 mm
Weight	343 Kg
Basic dynamic load rating (C)	5 200 kN
Basic static load rating (C0)	9 950 kN
(Grease) Lubrication Speed	410 r/min
(Oil) Lubrication Speed	530 r/min
Calculation factor (e)	0,32
Calculation factor (Y0)	2,07
Calculation factor (Y1)	2,11