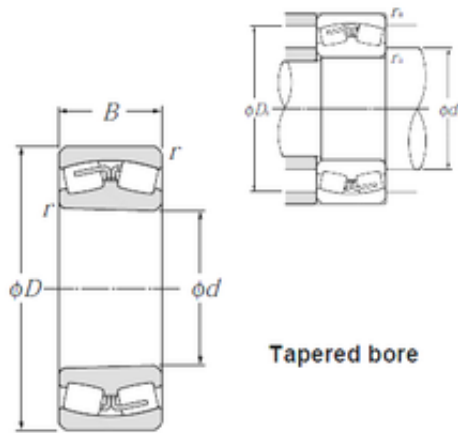




Shanghai Shengjie Bearing Co., Ltd.



23124BK Bearing 2D drawings and 3D CAD models

120 mm x 200 mm x 62 mm NTN 23124BK Spherical Roller Bearings

Bearing No. 23124BK

Size	120x200x62 mm
Bore Diameter	120 mm
Outer Diameter	200 mm
Width	62 mm
d	120 mm
D	200 mm
B	62 mm
C	62 mm
r min.	2 mm
da min.	130 mm
Da max.	190 mm
ra max.	2 mm
Weight	7,46 Kg
Basic dynamic load rating (C)	455 kN
Basic static load rating (C0)	705 kN
(Grease) Lubrication Speed	1 600 r/min
(Oil) Lubrication Speed	2 100 r/min
Calculation factor (e)	0,31
Calculation factor (Y0)	2,13
Calculation factor (Y1)	2,17