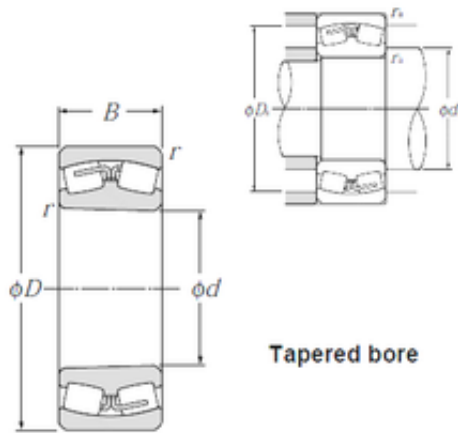




Shanghai Shengjie Bearing Co., Ltd.



100 mm x 165 mm x 52 mm NTN 23120BK Spherical Roller Bearings

Bearing No. 23120BK

23120BK Bearing 2D drawings and 3D CAD models

| | |
|-------------------------------|---------------|
| Size | 100x165x52 mm |
| Bore Diameter | 100 mm |
| Outer Diameter | 165 mm |
| Width | 52 mm |
| d | 100 mm |
| D | 165 mm |
| B | 52 mm |
| C | 52 mm |
| r min. | 2 mm |
| da min. | 110 mm |
| Da max. | 155 mm |
| ra max. | 2 mm |
| Weight | 4,16 Kg |
| Basic dynamic load rating (C) | 310 kN |
| Basic static load rating (C0) | 470 kN |
| (Grease) Lubrication Speed | 2 000 r/min |
| (Oil) Lubrication Speed | 2 600 r/min |
| Calculation factor (e) | 0,32 |
| Calculation factor (Y0) | 2,07 |
| Calculation factor (Y1) | 2,12 |
| Category | Bearings |
| Inventory | 0.0 |
| Manufacturer Name | NTN |
| Minimum Buy Quantity | N/A |
| Weight / Kilogram | 0 |



Shanghai Shengjie Bearing Co., Ltd.

| | |
|---------------|--|
| Product Group | |
|---------------|--|

| | |
|--|--------|
| | B04311 |
|--|--------|