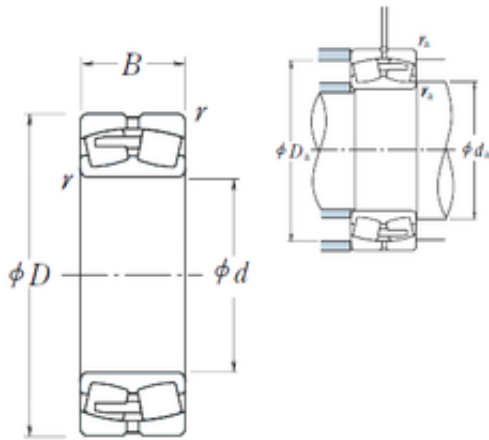




Shanghai Shengjie Bearing Co., Ltd.



360 mm x 600 mm x 192 mm NSK 23172CAE4 Spherical Roller Bearing

Bearing No. 23172CAE4

23172CAE4 Bearing 2D drawings and 3D CAD models

Size	360x600x192 mm
Bore Diameter	360 mm
Outer Diameter	600 mm
Width	192 mm
d	360 mm
D	600 mm
B	192 mm
C	192 mm
r min.	5 mm
da min.	382 mm
Da min	520 mm
Da max.	578 mm
ra max.	4 mm
Weight	217 Kg
Basic dynamic load rating (C)	3800 kN
Basic static load rating (C0)	7100 kN
(Grease) Lubrication Speed	400 r/min
(Oil) Lubrication Speed	530 r/min
Calculation factor (e)	0,31
Calculation factor (Y0)	2,1
Calculation factor (Y2)	3,2