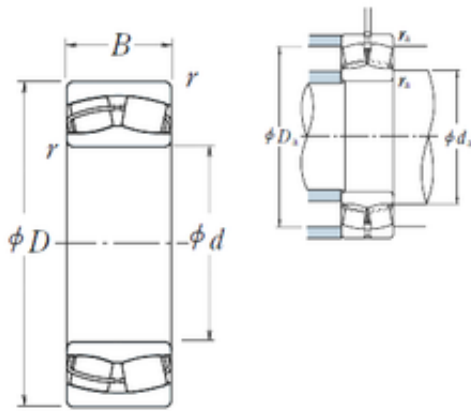




Shanghai Shengjie Bearing Co., Ltd.



220 mm x 340 mm x 118 mm NSK 24044CE4 Spherical Roller Bearing

Bearing No. 24044CE4

24044CE4 Bearing 2D drawings and 3D CAD models

Size	220x340x118 mm
Bore Diameter	220 mm
Outer Diameter	340 mm
Width	118 mm
d	220 mm
D	340 mm
B	118 mm
C	118 mm
r min.	3 mm
da min.	234 mm
da max	244 mm
Da min	296 mm
Da max.	326 mm
ra max.	2,5 mm
Weight	40,5 Kg
Basic dynamic load rating (C)	1360 kN
Basic static load rating (C0)	2600 kN
(Grease) Lubrication Speed	750 r/min
(Oil) Lubrication Speed	1000 r/min
Calculation factor (e)	0,31
Calculation factor (Y0)	2,1
Calculation factor (Y2)	3,2
Category	Spherical Roller Bearings
Inventory	0.0
Manufacturer Name	NSK



Shanghai Shengjie Bearing Co., Ltd.

Minimum Buy Quantity	N/A
Weight / Kilogram	41
EAN	0029176038112
Product Group	B04311
Internal Clearance	C0-Medium
Mounting Method	Shaft Mount
Rolling Element	Spherical Roller Bearing
Bore Profile	Straight
Cage Material	Steel
Enclosure	Open
Number of Rows of Rollers	Double Row
Relubricatable	Yes
Withdrawal Sleeve	Not Applicable
Inch - Metric	Metric
Long Description	220MM Straight Bore; 340MM Outside Diameter; 118MM Width; C0-Medium Clearance; Shaft Mount; Double Row of Spherical Roller Bearings; Steel Cage Material; Open Enclosure; Relubricatable
Category	Spherical Roller Bearing
UNSPSC	31171510
Harmonized Tariff Code	84823080
Noun	Bearing
Keyword String	Spherical
Manufacturer URL	http://www.nskamericas.com
Manufacturer Item Number	24044CE4
Weight / LBS	41
Outside Diameter	13.386 Inch 340 Millimeter
Width	4.646 Inch 118 Millimeter
Bore	8.661 Inch 220 Millimeter
Adapter Part Number	Not Applicable Inch Not



Shanghai Shengjie Bearing Co., Ltd.

	Applicable Millimeter
Y3	2.1
hidYobi	24044CE4
LangID	1
Y1	2.1
D_	340
Y2	3.2
Macha rpm	0
B_	118
da min	234
hidTable	ecat_NSSPHR
Oil rpm	1000
Y0	2.1
mass	40.5
GRS rpm	750
ra	2.5
TSR rpm	1200
C0	2600
DE_	309.284
X0	1
Prod_Type3	SRB_CTB_CB
X1	1
X2	0.67
SIR	47
e	0.31
DA_	29.5
bomp	24044CE4
Z_	25
ALP2	50
ALP1	11
ALP3	0
D_a max	326



Shanghai Shengjie Bearing Co., Ltd.

D_a min	296
yobi	24044CE4
ALPHA_	0.207
SDM_	280.411
r	3
KBRG	2322
SBRG	40
DI_	251.538