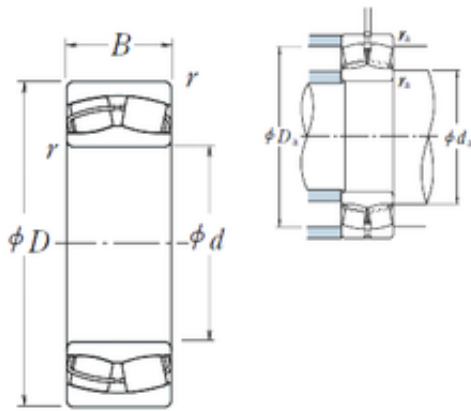




Shanghai Shengjie Bearing Co., Ltd.



200 mm x 340 mm x 140 mm NSK 24140CE4 Spherical Roller Bearing

Bearing No. 24140CE4

24140CE4 Bearing 2D drawings and 3D CAD models

Size	200x340x140 mm
Bore Diameter	200 mm
Outer Diameter	340 mm
Width	140 mm
d	200 mm
D	340 mm
B	140 mm
C	140 mm
r min.	3 mm
da min.	214 mm
da max	226 mm
Da min	290 mm
Da max.	326 mm
ra max.	2,5 mm
Weight	51,3 Kg
Basic dynamic load rating (C)	1570 kN
Basic static load rating (C0)	2670 kN
(Grease) Lubrication Speed	800 r/min
(Oil) Lubrication Speed	1000 r/min
Calculation factor (e)	0,39
Calculation factor (Y0)	1,7
Calculation factor (Y2)	2,6
Category	Spherical Roller Bearings
Inventory	0.0
Manufacturer Name	NSK



Shanghai Shengjie Bearing Co., Ltd.

Minimum Buy Quantity	N/A
Weight / Kilogram	50.5
Product Group	B04311
Internal Clearance	C0-Medium
Mounting Method	Shaft Mount
Rolling Element	Spherical Roller Bearing
Bore Profile	Straight
Cage Material	Steel
Enclosure	Open
Number of Rows of Rollers	Double Row
Relubricatable	Yes
Withdrawal Sleeve	Not Applicable
Inch - Metric	Metric
Long Description	200MM Straight Bore; 340MM Outside Diameter; 140MM Width; C0-Medium Clearance; Shaft Mount; Double Row of Spherical Roller Bearings; Steel Cage Material; Open Enclosure; Relubricatable
Category	Spherical Roller Bearing
UNSPSC	31171510
Harmonized Tariff Code	84823080
Noun	Bearing
Keyword String	Spherical
Manufacturer URL	http://www.nskamericas.com
Manufacturer Item Number	24140CE4
Weight / LBS	50
Bore	7.874 Inch 200 Millimeter
Width	5.512 Inch 140 Millimeter
Outside Diameter	13.386 Inch 340 Millimeter
Adapter Part Number	Not Applicable Inch Not Applicable Millimeter



Shanghai Shengjie Bearing Co., Ltd.

Y3	1.8
hidYobi	24140CE4
LangID	1
Y1	1.8
D_	340
Y2	2.6
Macha rpm	0
B_	140
da min	214
hidTable	ecat_NSSPHR
Oil rpm	1000
Y0	1.7
mass	51.3
GRS rpm	800
ra	2.5
TSR rpm	950
C0	2670
DE_	307.018
X0	1
Prod_Type3	SRB_CTB_CB
X1	1
X2	0.67
SIR	54
e	0.39
DA_	36.5
bomp	24140CE4
Z_	19
ALP2	25
ALP1	14
ALP3	0
D_a max	326
D_a min	290



Shanghai Shengjie Bearing Co., Ltd.

yobi	24140CE4
ALPHA_	0.252
SDM_	271.667
r	3
KBRG	2322
SBRG	41
DI_	236.317