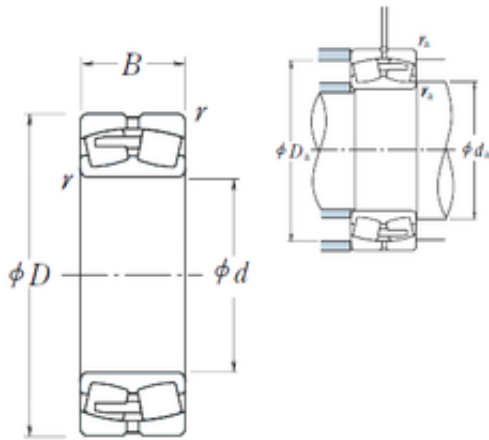




# Shanghai Shengjie Bearing Co., Ltd.



## 170 mm x 360 mm x 120 mm NSK 22334CAE4 Spherical Roller Bearing

Bearing No. 22334CAE4

22334CAE4 Bearing 2D drawings and 3D CAD models

Size	170x360x120 mm
Bore Diameter	170 mm
Outer Diameter	360 mm
Width	120 mm
d	170 mm
D	360 mm
B	120 mm
C	120 mm
r min.	4 mm
da min.	188 mm
Da min	304 mm
Da max.	342 mm
ra max.	3 mm
Weight	57,9 Kg
Basic dynamic load rating (C)	1580 kN
Basic static load rating (C0)	2110 kN
(Grease) Lubrication Speed	1000 r/min
(Oil) Lubrication Speed	1200 r/min
Calculation factor (e)	0,35
Calculation factor (Y0)	1,9
Calculation factor (Y2)	2,9