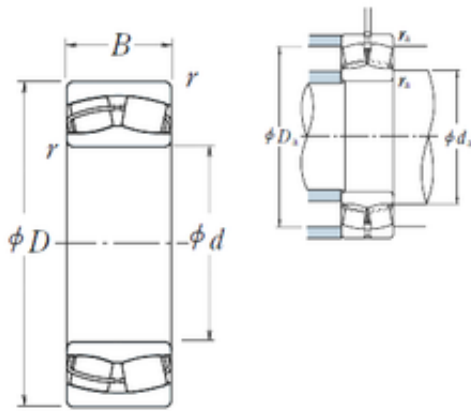




Shanghai Shengjie Bearing Co., Ltd.



160 mm x 290 mm x 104 mm NSK 23232CE4 Spherical Roller Bearing

Bearing No. 23232CE4

23232CE4 Bearing 2D drawings and 3D CAD models

Size	160x290x104 mm
Bore Diameter	160 mm
Outer Diameter	290 mm
Width	104 mm
d	160 mm
D	290 mm
B	104 mm
C	104 mm
r min.	3 mm
da min.	174 mm
da max	189 mm
Da min	245 mm
Da max.	276 mm
ra max.	2,5 mm
Weight	30,5 Kg
Basic dynamic load rating (C)	1100 kN
Basic static load rating (C0)	1770 kN
(Grease) Lubrication Speed	1000 r/min
(Oil) Lubrication Speed	1300 r/min
Calculation factor (e)	0,34
Calculation factor (Y0)	1,9
Calculation factor (Y2)	2,9
Category	Spherical Roller Bearings
Inventory	0.0
Manufacturer Name	NSK



Shanghai Shengjie Bearing Co., Ltd.

Minimum Buy Quantity	N/A
Weight / Kilogram	31.24
Product Group	B04311
Internal Clearance	C0-Medium
Mounting Method	Shaft Mount
Rolling Element	Spherical Roller Bearing
Bore Profile	Straight
Cage Material	Steel
Enclosure	Open
Number of Rows of Rollers	Double Row
Relubricatable	Yes
Withdrawal Sleeve	Not Applicable
Inch - Metric	Metric
Long Description	160MM Straight Bore; 290MM Outside Diameter; 104MM Width; C0-Medium Clearance; Shaft Mount; Double Row of Spherical Roller Bearings; Steel Cage Material; Open Enclosure; Relubricatable
Category	Spherical Roller Bearing
UNSPSC	31171510
Harmonized Tariff Code	84823080
Noun	Bearing
Keyword String	Spherical
Manufacturer URL	http://www.nskamericas.com
Manufacturer Item Number	23232CE4
Weight / LBS	31.24
Outside Diameter	11.417 Inch 290 Millimeter
Adapter Part Number	Not Applicable Inch Not Applicable Millimeter
Width	4.094 Inch 104 Millimeter
Bore	6.299 Inch 160 Millimeter



Shanghai Shengjie Bearing Co., Ltd.

Y3	2
hidYobi	23232CE4
LangID	1
Y1	2
D_	290
Y2	2.9
Macha rpm	0
B_	104
da min	174
hidTable	ecat_NSSPHR
Oil rpm	1300
Y0	1.9
mass	30.5
GRS rpm	1000
ra	2.5
TSR rpm	1500
C0	1770
DE_	257.32
X0	1
Prod_Type3	SRB_CTB_CB
X1	1
X2	0.67
SIR	41.5
e	0.34
DA_	31.5
bomp	23232CE4
Z_	19
ALP2	55
ALP1	12
ALP3	0
D_a max	276
D_a min	245



Shanghai Shengjie Bearing Co., Ltd.

yobi	23232CE4
ALPHA_	0.225
SDM_	226.617
r	3
KBRG	2322
SBRG	32
DI_	195.914