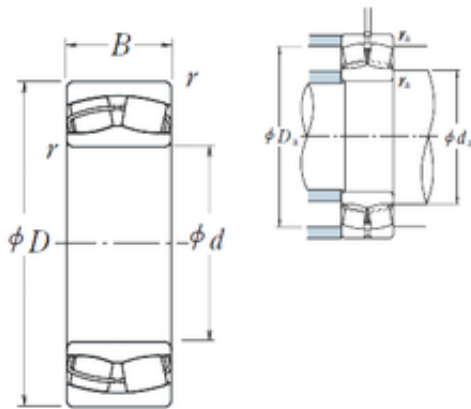




Shanghai Shengjie Bearing Co., Ltd.



130 mm x 280 mm x 93 mm NSK 22326CE4 Spherical Roller Bearing

Bearing No. 22326CE4

22326CE4 Bearing 2D drawings and 3D CAD models

Size	130x280x93 mm
Bore Diameter	130 mm
Outer Diameter	280 mm
Width	93 mm
d	130 mm
D	280 mm
B	93 mm
C	93 mm
r min.	4 mm
da min.	148 mm
da max	166 mm
Da min	236 mm
Da max.	262 mm
ra max.	3 mm
Weight	28,1 Kg
Basic dynamic load rating (C)	995 kN
Basic static load rating (C0)	1350 kN
(Grease) Lubrication Speed	1300 r/min
(Oil) Lubrication Speed	1600 r/min
Calculation factor (e)	0,34
Calculation factor (Y0)	1,9
Calculation factor (Y2)	2,9
Category	Roller Bearings
Inventory	0.0
Manufacturer Name	NSK



Shanghai Shengjie Bearing Co., Ltd.

Minimum Buy Quantity	N/A
EAN	0029176792519
Weight / US pound	28.1
Product Group	B04311
bore diameter:	130 mm
maximum rpm:	1600 RPM
outside diameter:	280 mm
operating temperature range:	Maximum of +200 ° C
overall width:	93 mm
cage material:	Steel
bore type:	Straight
bearing material:	Steel
outer ring type:	Not Split
cage type:	Inner Ring Guided
internal clearance:	C0
precision rating:	RBEC 1 (ISO Class Normal)
closure type:	Open
finish/coating:	Uncoated
lubrication hole type:	Lubrication Groove & Hole
outer ring width:	93 mm
dynamic load capacity:	995000 N
fillet radius:	4 mm
static load capacity:	1350000 N
series:	223
Y3	2
hidYobi	22326CE4
LangID	1
Y1	2
D_	280
Y2	2.9
Macha rpm	0



Shanghai Shengjie Bearing Co., Ltd.

B_	93
da min	148
hidTable	ecat_NSSPHR
Oil rpm	1600
Y0	1.9
mass	28.1
GRS rpm	1300
ra	3
TSR rpm	1800
C0	1350
DE_	245.705
X0	1
Prod_Type3	SRB_CTB_CB
X1	1
X2	0.67
SIR	36
e	0.34
DA_	37.5
bomp	22326CE4
Z_	15
ALP2	50
ALP1	12
ALP3	0
D_a max	262
D_a min	236
yobi	22326CE4
ALPHA_	0.224
SDM_	209.142
r	4
KBRG	2322
SBRG	23
DI_	172.579



Shanghai Shengjie Bearing Co., Ltd.