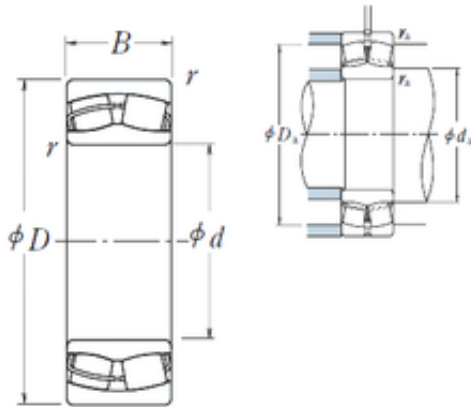




Shanghai Shengjie Bearing Co., Ltd.



130 mm x 210 mm x 80 mm NSK 24126CE4 Spherical Roller Bearing

Bearing No. 24126CE4

24126CE4 Bearing 2D drawings and 3D CAD models

Size	130x210x80 mm
Bore Diameter	130 mm
Outer Diameter	210 mm
Width	80 mm
d	130 mm
D	210 mm
B	80 mm
C	80 mm
r min.	2 mm
da min.	140 mm
da max	146 mm
Da min	180 mm
Da max.	200 mm
ra max.	2 mm
Weight	10,7 Kg
Basic dynamic load rating (C)	590 kN
Basic static load rating (C0)	1010 kN
(Grease) Lubrication Speed	1300 r/min
(Oil) Lubrication Speed	1700 r/min
Calculation factor (e)	0,35
Calculation factor (Y0)	1,9
Calculation factor (Y2)	2,9
Category	Spherical Roller Bearings
Inventory	0.0
Manufacturer Name	NSK



Shanghai Shengjie Bearing Co., Ltd.

Minimum Buy Quantity	N/A
Weight / Kilogram	10.7
EAN	0029176027796
Product Group	B04311
Internal Clearance	C0-Medium
Mounting Method	Shaft Mount
Rolling Element	Spherical Roller Bearing
Bore Profile	Straight
Cage Material	Steel
Enclosure	Open
Number of Rows of Rollers	Double Row
Relubricatable	Yes
Withdrawal Sleeve	Not Applicable
Inch - Metric	Metric
Long Description	130MM Straight Bore; 210MM Outside Diameter; 80MM Width; C0-Medium Clearance; Shaft Mount; Double Row of Spherical Roller Bearings; Steel Cage Material; Open Enclosure; Relubricatable
Category	Spherical Roller Bearing
UNSPSC	31171510
Harmonized Tariff Code	84823080
Noun	Bearing
Keyword String	Spherical
Manufacturer URL	http://www.nskamericas.com
Manufacturer Item Number	24126CE4
Weight / LBS	10.7
Outside Diameter	8.268 Inch 210 Millimeter
Bore	5.118 Inch 130 Millimeter
Adapter Part Number	Not Applicable Inch Not Applicable Millimeter



Shanghai Shengjie Bearing Co., Ltd.

Width	3.15 Inch 80 Millimeter
Y3	1.9
hidYobi	24126CE4
LangID	1
Y1	1.9
D_	210
Y2	2.9
Macha rpm	0
B_	80
da min	140
hidTable	ecat_NSSPHR
Oil rpm	1700
Y0	1.9
mass	10.7
GRS rpm	1300
ra	2
TSR rpm	1800
C0	1010
DE_	189.874
X0	1
Prod_Type3	SRB_CTB_CB
X1	1
X2	0.67
SIR	32
e	0.35
DA_	19.5
bomp	24126CE4
Z_	22
ALP2	10
ALP1	13
ALP3	0
D_a max	200



Shanghai Shengjie Bearing Co., Ltd.

D_a min	180
yobi	24126CE4
ALPHA_	0.23
SDM_	170.886
r	2
KBRG	2322
SBRG	41
DI_	151.899