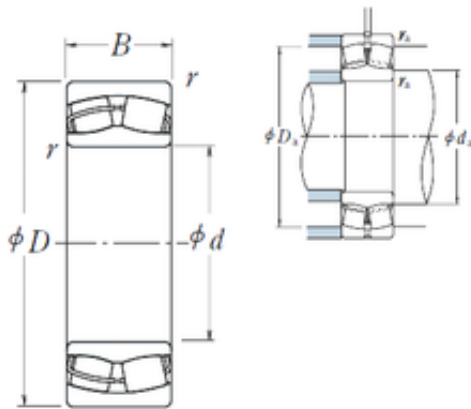




# Shanghai Shengjie Bearing Co., Ltd.



## 110 mm x 200 mm x 69,8 mm NSK 23222CE4 Spherical Roller Bearing

Bearing No. 23222CE4

23222CE4 Bearing 2D drawings and 3D CAD models

Size	110x200x69.8 mm
Bore Diameter	110 mm
Outer Diameter	200 mm
Width	69,8 mm
d	110 mm
D	200 mm
B	69,8 mm
C	69,8 mm
r min.	2,1 mm
da min.	122 mm
da max	130 mm
Da min	170 mm
Da max.	188 mm
ra max.	2 mm
Weight	9,54 Kg
Basic dynamic load rating (C)	515 kN
Basic static load rating (C0)	760 kN
(Grease) Lubrication Speed	1500 r/min
(Oil) Lubrication Speed	1900 r/min
Calculation factor (e)	0,34
Calculation factor (Y0)	1,9
Calculation factor (Y2)	3
Category	Spherical Roller Bearings
Inventory	0.0
Manufacturer Name	NSK



## Shanghai Shengjie Bearing Co., Ltd.

Minimum Buy Quantity	N/A
Weight / Kilogram	9.5
EAN	0029176025426
Product Group	B04311
Internal Clearance	C0-Medium
Mounting Method	Shaft Mount
Rolling Element	Spherical Roller Bearing
Bore Profile	Straight
Cage Material	Steel
Enclosure	Open
Number of Rows of Rollers	Double Row
Relubricatable	Yes
Withdrawal Sleeve	Not Applicable
Inch - Metric	Metric
Long Description	110MM Straight Bore; 200MM Outside Diameter; 69MM Width; C0-Medium Clearance; Shaft Mount; Double Row of Spherical Roller Bearings; Steel Cage Material; Open Enclosure; Relubricatable
Category	Spherical Roller Bearing
UNSPSC	31171510
Harmonized Tariff Code	84823080
Noun	Bearing
Keyword String	Spherical
Manufacturer URL	<a href="http://www.nskamericas.com">http://www.nskamericas.com</a>
Manufacturer Item Number	23222CE4
Weight / LBS	9.4
Bore	4.331 Inch   110 Millimeter
Width	2.748 Inch   69.799 Millimeter
Outside Diameter	7.874 Inch   200 Millimeter



## Shanghai Shengjie Bearing Co., Ltd.

Adapter Part Number	Not Applicable Inch   Not Applicable Millimeter
bore diameter:	110 mm
closure type:	Open
outside diameter:	200 mm
lubrication hole type:	Oil Grooves And Holes In Outer Ring
overall width:	69.8 mm
cage material:	Bronze
bore type:	Straight
application:	General Machinery
outer ring type:	Not Split
series:	Spherical Roller 232 Series
internal clearance:	C0
Y3	2
hidYobi	23222CE4
LangID	1
Y1	2
D_	200
Y2	3
Macha rpm	0
B_	69.8
da min	122
hidTable	ecat_NSSPHR
Oil rpm	1900
Y0	1.9
mass	9.54
GRS rpm	1500
ra	2
TSR rpm	2200
C0	760
DE_	177.501
X0	1



## Shanghai Shengjie Bearing Co., Ltd.

Prod_Type3	SRB_CTB_CB
X1	1
X2	0.67
SIR	27
e	0.34
DA_	22
bomp	23222CE4
Z_	18
ALP2	46
ALP1	12
ALP3	0
D_a max	188
D_a min	170
yobi	23222CE4
ALPHA_	0.223
SDM_	156.045
r	2.1
KBRG	2322
SBRG	32
DI_	134.588